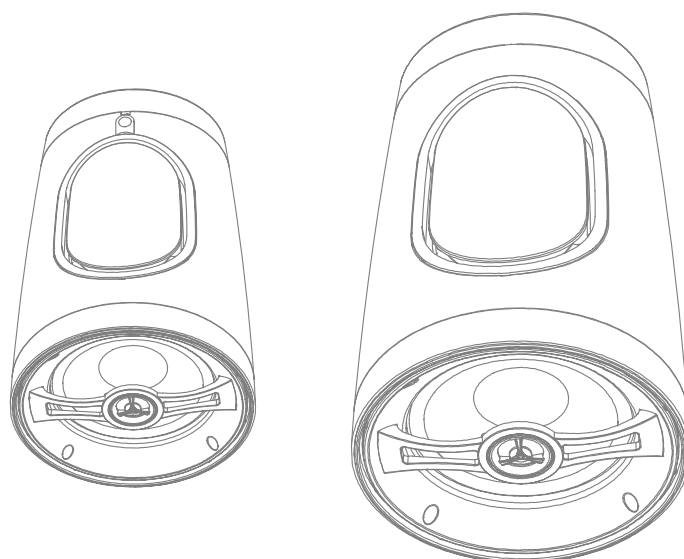


# MULTI-PURPOSE PENDANT SPEAKER

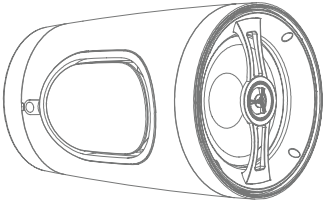
## USER MANUAL



## SAFETY INSTRUCTIONS

- ① Please read the instructions carefully before installation and use. Keep the manual safe for future reference.
- ② Prior to installing the speakers into any ceiling or wall, check the structure for weight bearing ability and avoid contact with any wiring or plumbing that might be behind the surface area. Installing on soft materials or in areas incapable of supporting the speakers' weight may cause personal injury or damage to the speaker. When installing JS-BSS speakers outside, choose areas such as the underside of eaves to avoid strong direct sunlight which may affect the color and life of the speaker enclosure.
- ③ When placing the speakers on a wall or shelf, it is recommended that speakers be installed at the level of the ear or slightly higher.
- ④ Damage to the woofer and tweeter may occur if the speaker is dropped or hit - resulting in no sound or distorted sound.
- ⑤ Use only approved and certified wiring in your installation, do not stretch or place the wire in contact with sharp objects.
- ⑥ Never overdrive your speakers to the point of distortion and always reduce volume prior to switching input sources (e.g.: FM to CD).
- ⑦ Turn off the power to the speaker when unused for long periods of time.
- ⑧ To tilt the speaker, loosen the adjustment screw found on the bracket. Tilt the speaker to the desired position and tighten the screws securely.
- ⑨ JS-BSS speakers can be used as hanging ceiling, wall mounted or as floor speakers. Models can rotate 360 ° up and down while hanging. NOTE The JS-BSS is not recommended to rotate after installation due to its weight.

## PACKING LIST

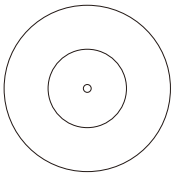


speaker



user manual

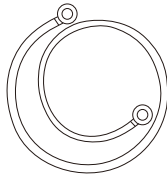
## Hanging Mount Accessories



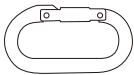
top cover



eye bolt & nut



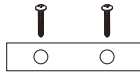
hanging cable



carabiner X2



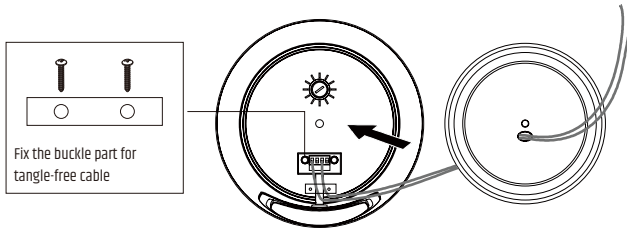
Screws X2



buckle part

## SET UP AND OPERATION

- 1 Connect the wires from the amplifier (or the previous speaker) to the supplied terminal block of the speaker, and ensure red wire to "+" and black wire to "-". Attach the top cover to the speaker.

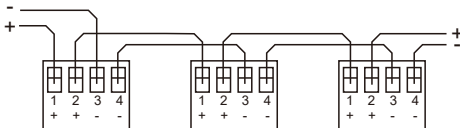


- 2 Route the speaker cable hanging from the ceiling area through the top cover, and dress the cables to the wire rope using plastic cable ties, strip the ends of the cables approximately 1/8" to 3/16" and, if the wire is stranded, twist the strands.
- 3 Fasten the provided eye bolt to the top cover and speaker.

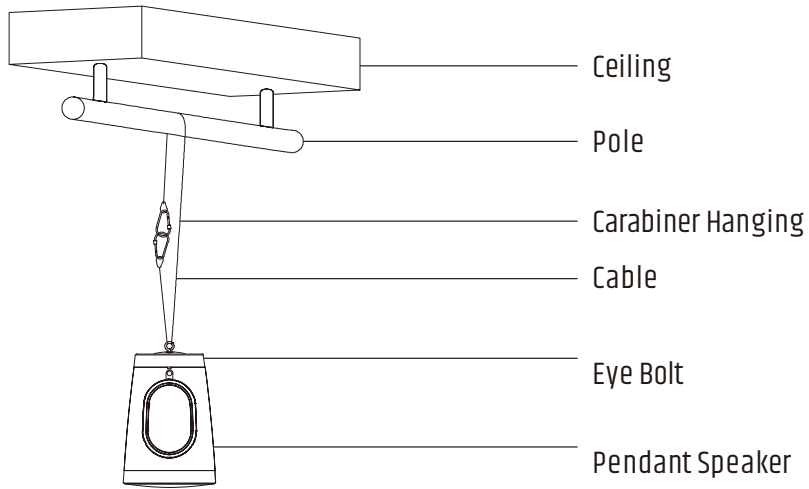
### Connections (For Speakers with Transformer)

Ensure that the speaker is unplugged from the mains before making any connections.

For 5"/8" Speakers (from power amplifier to next speaker)



## HANGING INFORMATION



Make sure the speaker is properly secured to the ceiling / building's structure. please use the proper screws, bolts, or anchors (not included). Failure to do so may cause the speaker to become unsecured & cause potential damages/injuries.